

# Twins™ Sharpening System

*Just right for mid-sized processors and  
sharpening services*



**COZZINI PRIME Edge**  
CUTTING EDGES AND SHARPENING SOLUTIONS

## Twins™ Sharpening System

- Consists of identically sized HG4S Hollow Grinder and HE4 Honer/Edger.
- System can sharpen up to 400 blades per day.
- Sharpens blades up to 10" (254mm) long.
- Unique spiral-shaped honing/edging stone design assures consistent, smooth, sharp edges.
- Recirculating liquid coolant system provides burn-free and dust-free operation.
- Integrated stone dressing system maintains roundness of the stones for perfect, consistent, sharp edges.
- CE approved.

**JARVIS**

**Jarvis ANZ Pty Ltd.**  
6 Rosa Place  
Richlands, QLD 4077

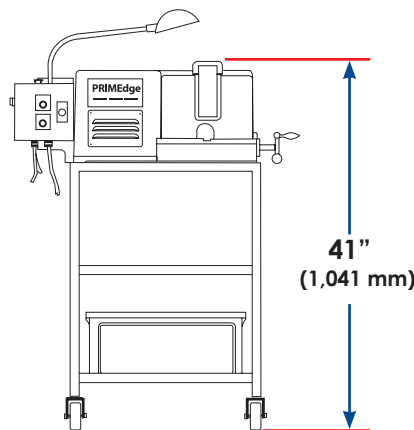
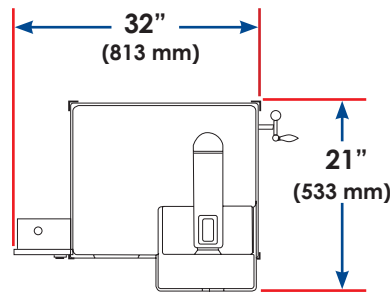
Phone: 617-3375-3444  
Fax: 617-3375-3533  
E-mail: [sales@jarvisanz.com.au](mailto:sales@jarvisanz.com.au)  
[www.jarvisanz.com.au](http://www.jarvisanz.com.au)

# Twins Sharpening System

Ideal for medium-volume processors and sharpening services, the **PRIME**Edge "Twins" Sharpening System utilizes separate hollow grinding and honing/edging units. Known around the world, the Twins have earned their reputation for safe, economical and low-maintenance operation.

The Ø4" (102mm) stones on the hollow grinder unit thin both sides of the knife blade simultaneously. The operator checks the knife blade thickness with a built-in gauge to determine if it has been sufficiently thinned for edging. After thinning, the honing/edging stones apply a beveled edge on both sides of the blade simultaneously. The blade bevel angle can be adjusted as needed.

Each unit consists of a cast aluminum body housed under a durable, easy-to-clean, fiberglass cover. The ergonomic design of the Twins provides excellent visibility while sharpening blades. An adjustable, pivoting lamp can be oriented in different positions for excellent visibility while sharpening blades. Each unit also comes with a cart for easy portability.



Twins™ Knife Sharpening System				
Model	Voltage	Frequency	HP	kW
HG4S Hollow Grinder	115V	50 or 60 Hz	1/2	.38
	220V			
HE4 Honer/Edger	115V		1/3	.25
	220V			

**COZZINI**PRIME**Edge**  
CUTTING EDGES AND SHARPENING SOLUTIONS

**JARVIS**

Jarvis ANZ Pty Ltd.  
6 Rosa Place  
Richlands, QLD 4077

Phone: 617-3375-3444  
Fax: 617-3375-3533  
E-mail: sales@jarvisanz.com.au  
www.jarvisanz.com.au